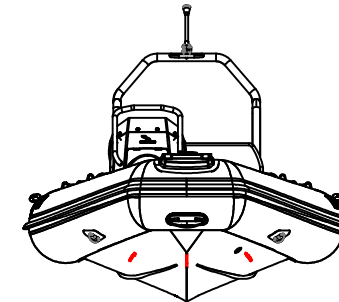
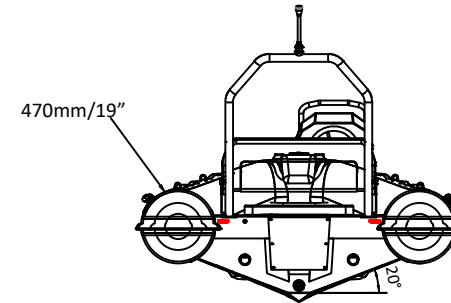
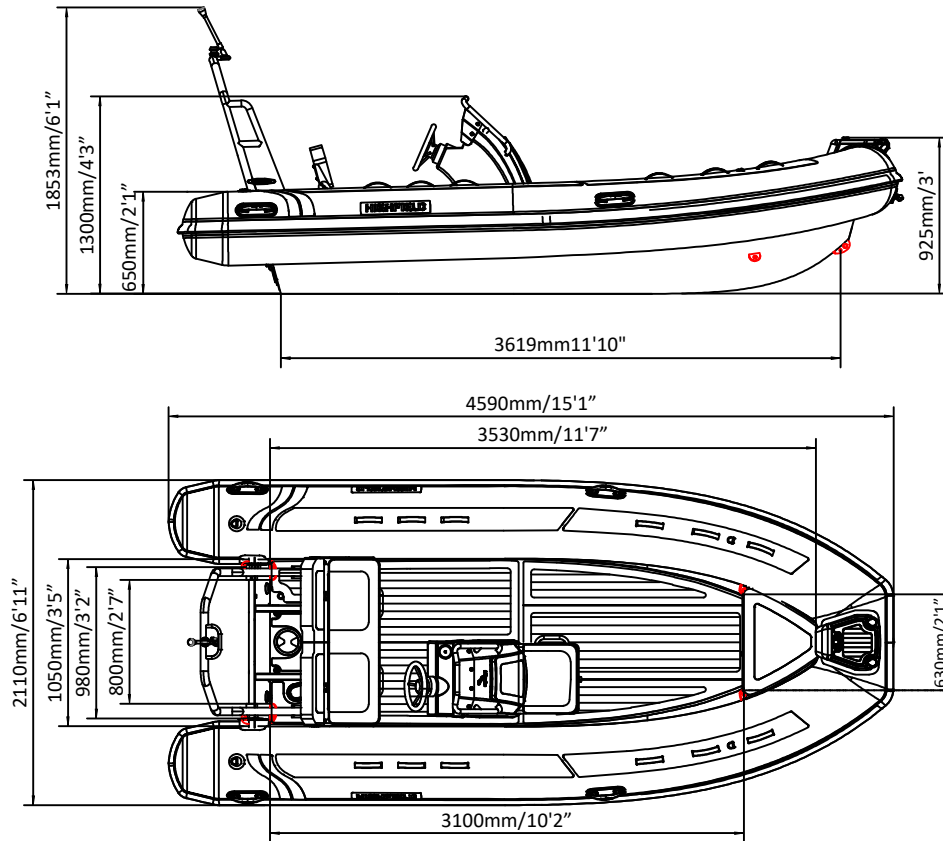


Classic 460

SPECIFICATIONS



SPECIFICATIONS AND MAXIMUM CAPACITIES (Subject to change without notice. Tolerances: dimensions ±2.5%, weights ±5%)

MODEL	ISO 6185 PART	ISO 6185	Passenger		#	Crew		Shaft	Outboard Engine				Console		Seat		Rollbar		Fuel tank Capacity		Wet Weight (Approximate) 80HP (59.68KW) +Fuel		AIR CHAMBERS	Pressure			
			KG	LB		KG	LB		KW	HP	KG	LB	KG	LB	KG	LB	L	GAL	KG	LB	PSI	BAR					
			Max power	Max weight		KG	LB																				
CL460	3	C	720	1587	9	675	1488	L	59.68	80	171	377	238	525	26	57	21	46	11	25	40	10.6	438	966	5	3.63	0.25

Boat weight includes: console, seat, rollbar, oar