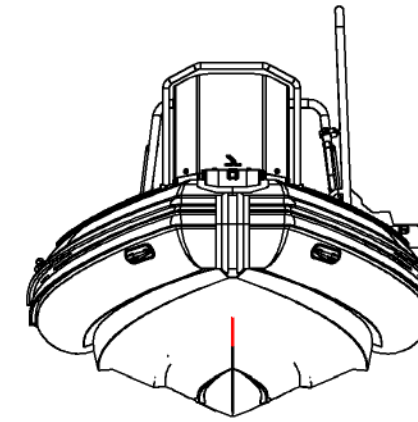
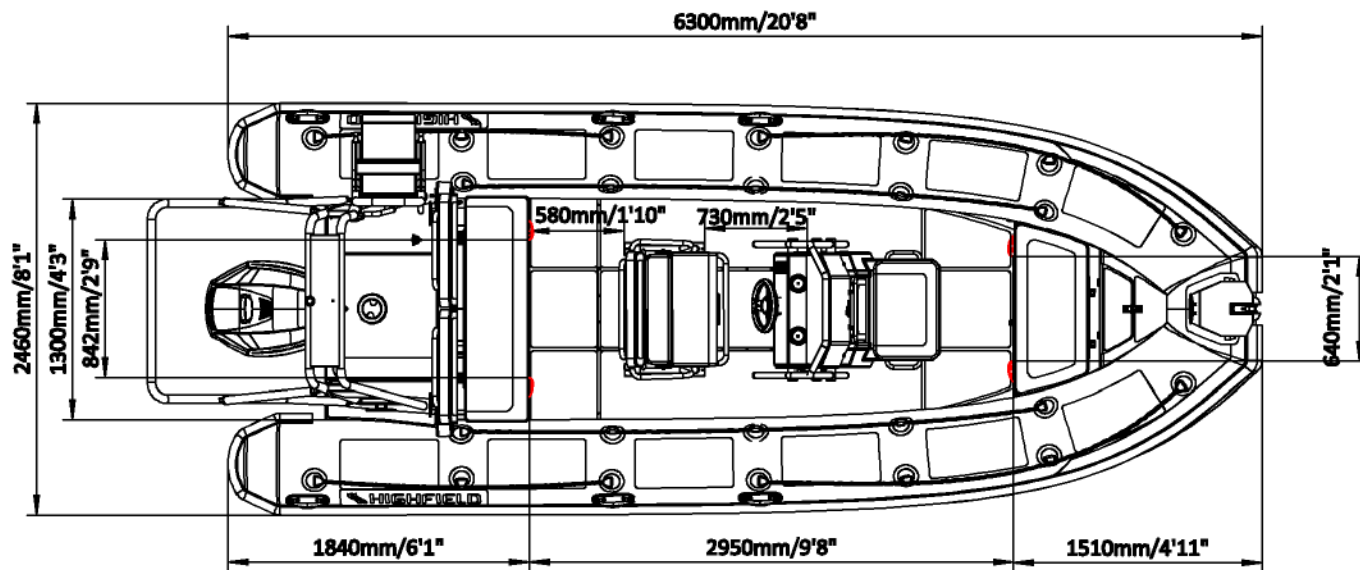
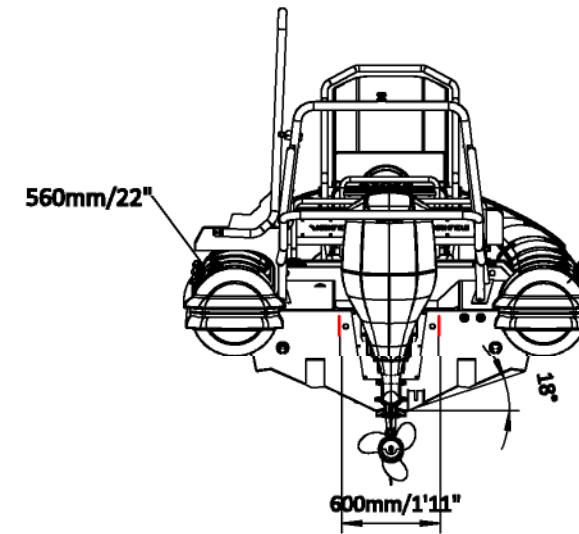
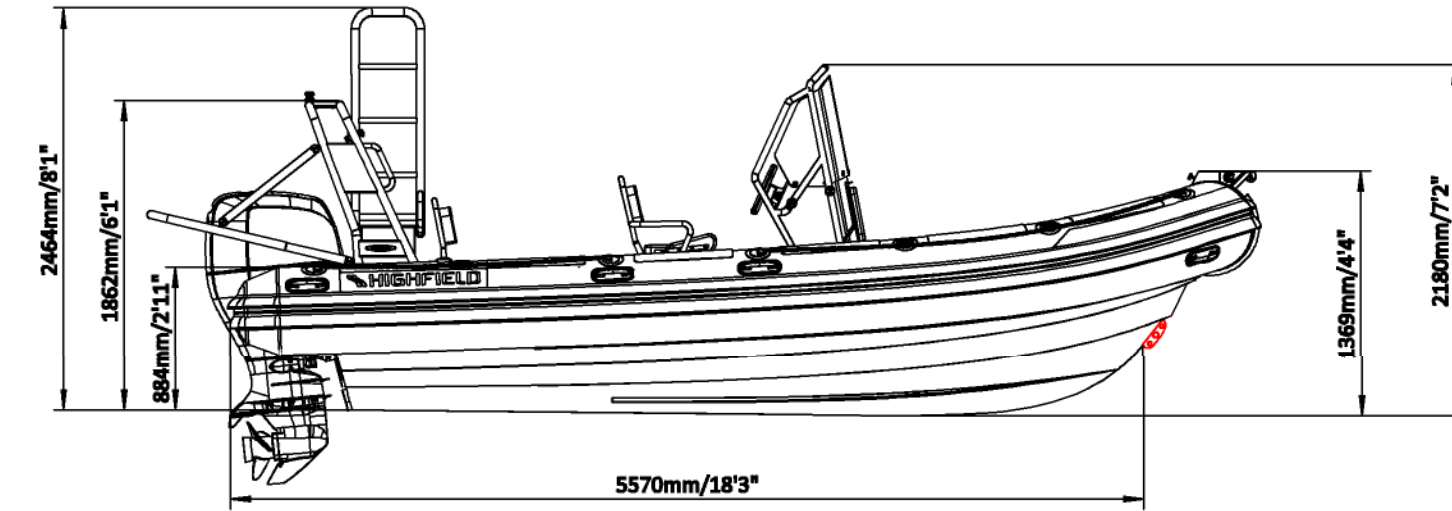


PATROL 600

SPECIFICATIONS



SPECIFICATIONS AND MAXIMUM CAPACITIES (Subject to change without notice. Tolerances: dimensions ±2.5%, weights ±5%)

MODEL	ISO 6185 PART	ISO 6185	Passenger		Crew		Outboard Engine	Shaft	Max power		Max weight		Rollbar		Tow post		Fuel tank Capacity		Wet Weight (Approximate) 150HP (111.9KW) +Fuel		AIR CHAMBERS	Pressure					
			KG	LB	#	KG			LB	KW	HP	KG	LB	KG	LB	KG	LB	L	GAL	KG		LB	PSI	BAR			
PA600 SB	3	C	1120	2464	14	1050	2315	XL	111.9	150	240	528	734	1615	/	/	45	99	/	/	140	37	1075.5	2366	6	3.63	0.25

Boat weight includes: console, seat