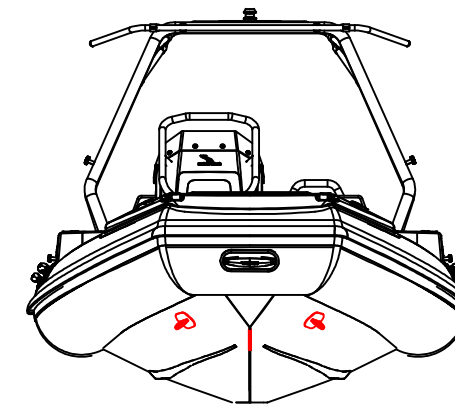
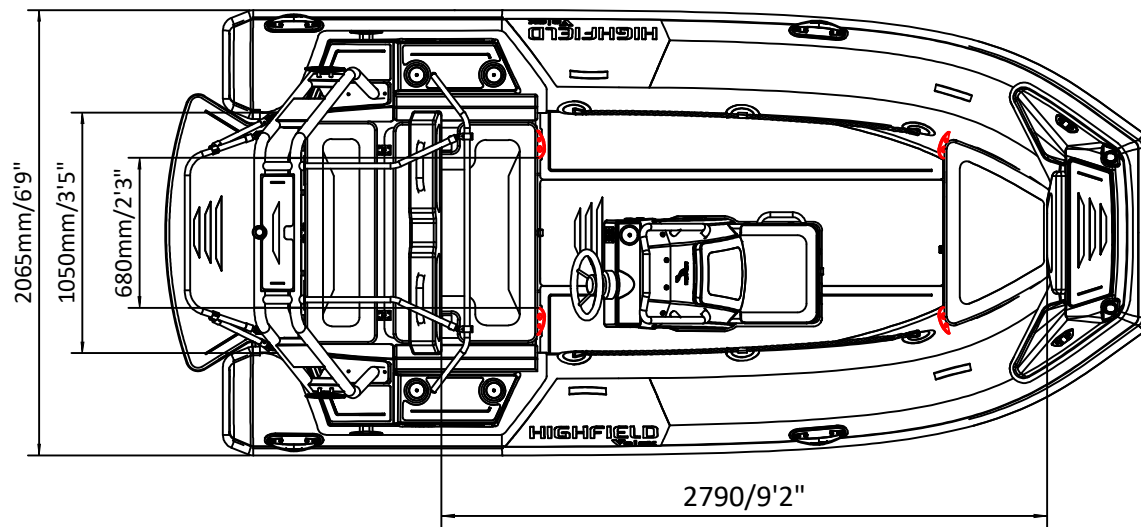
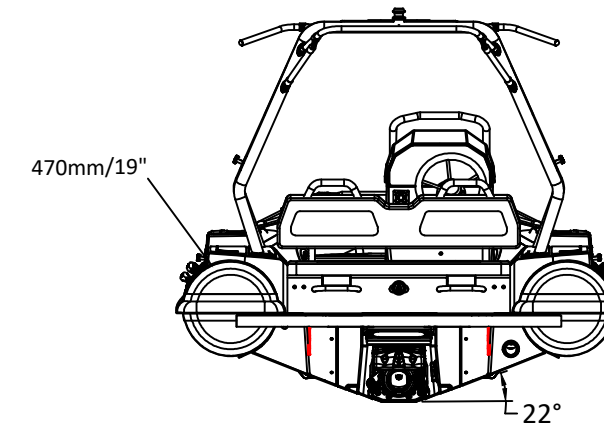
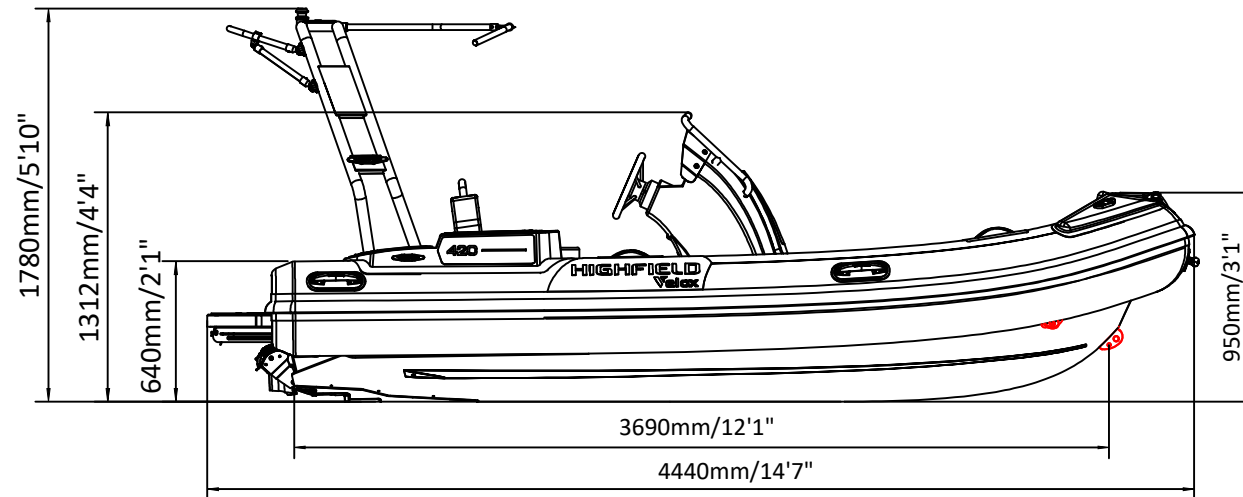


JET 420

SPECIFICATIONS



SPECIFICATIONS AND MAXIMUM CAPACITIES (Subject to change without notice. Tolerances: dimensions ±2.5%, weights ±5%)

MODEL	ISO 6185 PART	ISO 6185			#			Shaft	Outboard Engine				Sundeck		Tow post		Rollbar		Fuel Tank Capacity		Wet Weight (Approximate) 90HP (67KW) +Fuel		AIR CHAMBERS				
			KG	LB		KG	LB		KG	LB	KG	LB	KG	LB	KG	LB	KG	LB	KG	LB	PSI	BAR					
			Max power	Max weight		KW	HP		KG	LB	KG	LB	KG	LB	KG	LB	L	GAL	KG	LB							
JET 420	3	C	640	1410	8	600	1323	/	67	90	80	176	481	1060	9	19.8	/	/	/	/	55	14.5	601	1325	4	3.63	0.25

Boat weight includes: console, rollbar